

PRODUCT DATASHEET

Model: LLR06

Category: LED Module

Description: 12w LED Module



General Information

Material: Aluminium

Fitting Colors: Not Applicable

Rotation Angle (degree): Not Applicable

Tilting Angle (degree): Not Applicable

Track System: Not Applicable

IP Rating: Not Applicable

Working Temperature (°C): -5 - +35

Storage Temperature (°C): -20 - +50



Product Dimensions and Cut-out Information

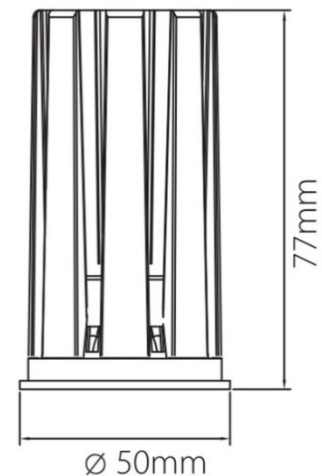
Fitting Length (mm): Not Applicable

Diameter (mm): 50

Height (mm): 70

Cut-out Dimension (mm): Not Applicable

Dimension:



Packing Information

Packaging Type: Individual box

Quantity per carton: 20

CBM per carton: 0.0207

Gross weight per carton (kgs): 5

Lifespan

Lifetime (hours): 30000

Luminous Flux after 50000hours (lm): LM80 Comply

PRODUCT DATASHEET

Model: LLR06

Category: LED Module

Description: 12w LED Module



Light Technical Information

Color Temperature	CRI (Ra)	Gamut Index (GAI)	System Lumen	Lumen per Watt
2700	90	90	1134	81
2700	95	100	1080	77
3000	90	90	1217	87
3000	95	100	1140	81
3000 Vivid White	90	110	1158	83
4000	95	100	1217	87
5000	80	90	Not Applicable	Not Applicable
5000	90	90	1318	94

LED Manufacturer: Luminus

LED Type: COB

LED Model: CLM-9 Gen 3

Optic: Reflector

Beam Angle (°): 20/38/55

Electrical Information

System Power (w): 14

Input Voltage (v) & Frequency: 220-240V 50/60Hz

Output Voltage (v): 31-37

Current (mA): 350

Non-Dimmable: RiO Non-dimmable Driver

Power Factor: 0.5

Efficiency (%): 83

Total Harmonic Distortion (%): <30

Ripple (%): Not Applicable

Dimmable: Triac Dimming – Upon Request

1-10V Dimming – Upon Request

Dali Dimming – Upon Request